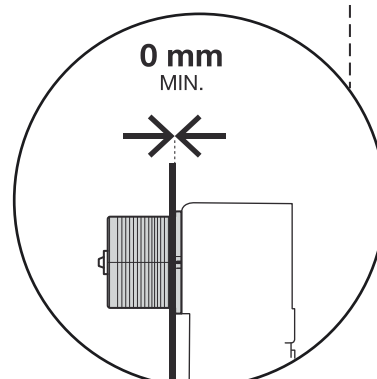
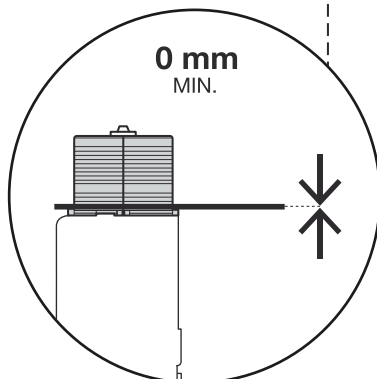
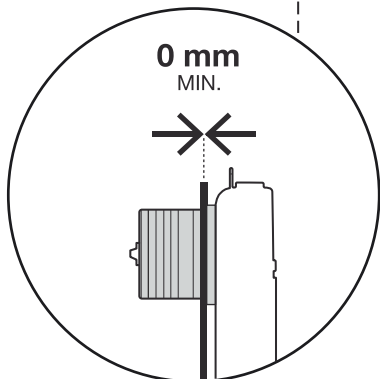
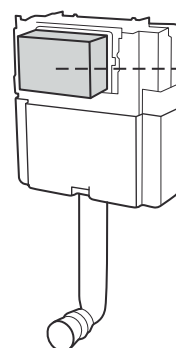
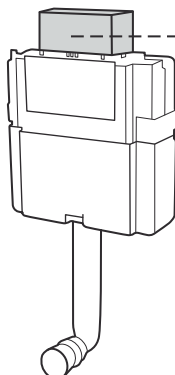
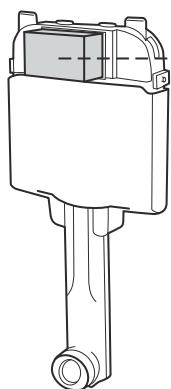
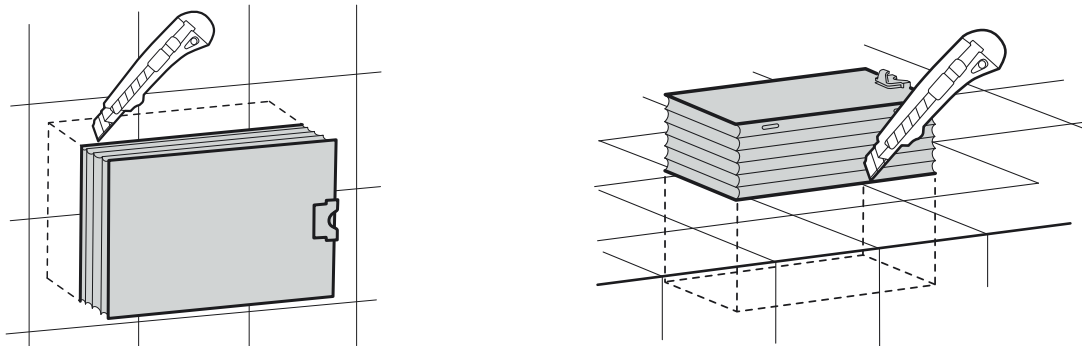
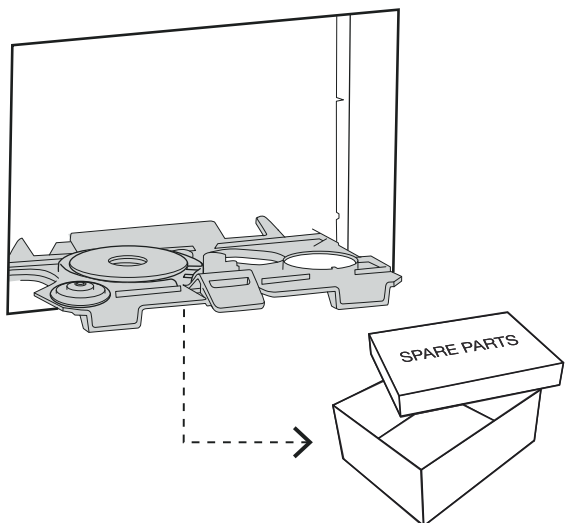
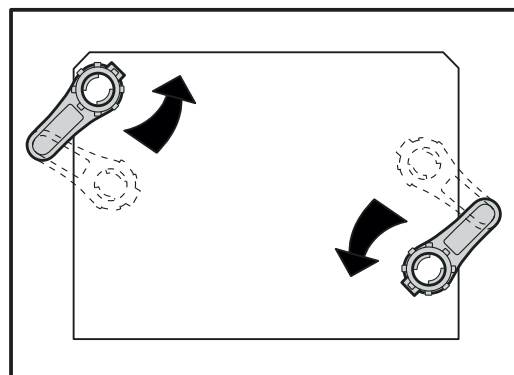
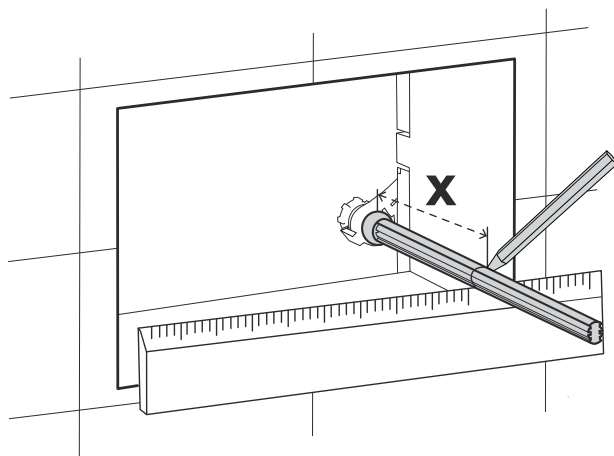


(dimensions in millimeters)



1**2****3****4****x2** $\leftarrow X + 20\text{mm} \rightarrow$ 